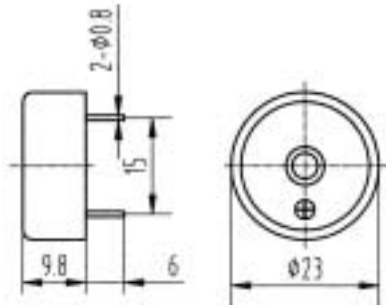
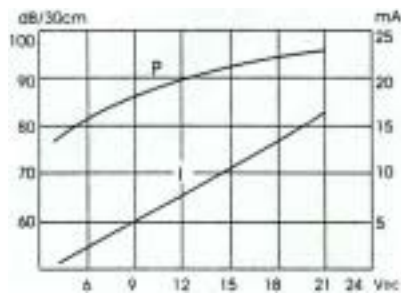


***Piezo Buzzer*****EFM-260*****DIMENSIONS: (Unit: mm)******FEATURES:***

- Easy Mounting
- Small size, Low Height and Light Weight
- High Reliability

APPLICATIONS:

- Automatic Control Equipment
- Communication Equipment
- Electronic Instruments

CHARACTERISTICS:***ELECTRICAL SPECIFICATIONS :****Min. Sound Pressure Level at*12V_{DC}/30cm.....85dB(A)Rated Voltage.....12V_{DC}Operating Voltage..... 3~24V_{DC}Max. Consumption 12mA/12V_{DC}

Oscillating Frequency..... 3.5±0.5kHz

Tone Nature..... Continuous

Operating Temperature..... -20~+70°C

Case Material/Color.....PC/Black

Weight..... 4g

PACKING INFORMATION:*Packing: 2400 pcs per export carton**Carton Size: 47×30.5×35 cm**G. Weight: 12.1 kgs N. Weight: 10.5 kgs**Address: No. 12. Lane 722. Sangtian Road Jiangdong Science Garden**Ningbo, 315040 P. R. China**Fax No: (0574)87803761**Tel: (0574)87802511*